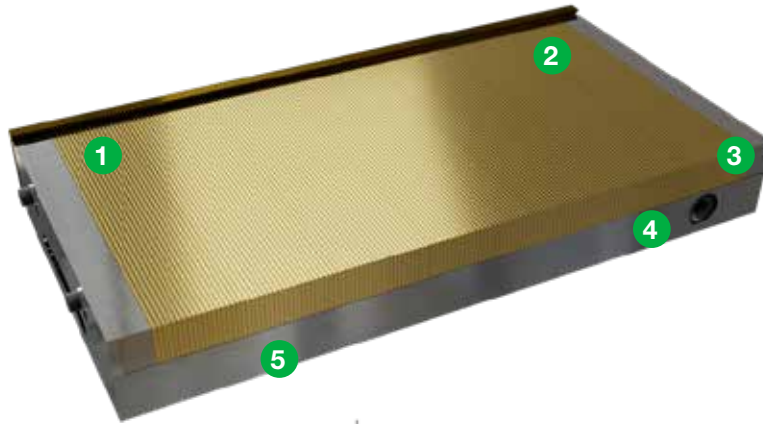




Magnetic Products, Inc.
Highland, Michigan | mpimagnet.com

Rare Earth Surface Grinder Chuck



- 1 Possibility to clamp even the thinnest parts
- 2 High stability and accuracy of the chuck during surface grinding
- 3 Durable switching mechanism
- 4 Solid and waterproof design
- 5 Regrinding fixed top plate multiple times offers long life span

One (1) year warranty for the magnetic system

Manufactured in Europe to the highest quality standards

Application: Grinding

Technology: Permanent

Chuck dimensions: from 4x7in

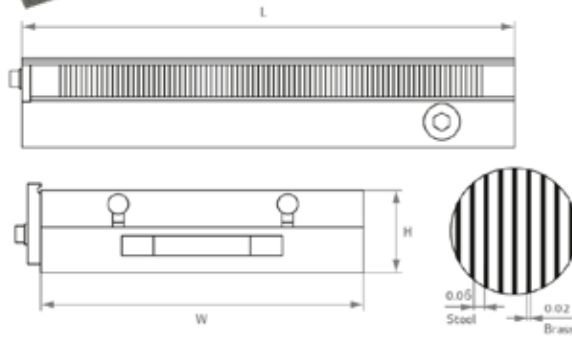
Holding Force: 100N/cm² / 145lbs/in²

Minimum workpiece size: 0.2x0.2x0.04in

Regrinding limit: 0.275in

Pole pitch: T0.08 0.06+0.02in (steel/brass)

Poles: Transverse



Part Number	Description	Width (IN)	Length (IN)	Height (IN)	Weight (LBS)
SGC-70140-REN	3" x 6" Rare Earth Surface Grinder Chuck	3	6	2	13
SGC-100175-REN	4" x 7" Rare Earth Surface Grinder Chuck	4	7	2	15.4
SGC-100200-REN	4" x 8" Rare Earth Surface Grinder Chuck	4	8	2	17.6
SGC-100250-REN	4" x 10" Rare Earth Surface Grinder Chuck	4	10	2	22.1
SGC-130255-REN	5" x 10" Rare Earth Surface Grinder Chuck	5	10	2	28.7
SGC-150150-REN	6" x 6" Rare Earth Surface Grinder Chuck	6	6	2	21
SGC-150250-REN	6" x 10" Rare Earth Surface Grinder Chuck	6	10	2	33.1
SGC-150300-REN	6" x 12" Rare Earth Surface Grinder Chuck	6	12	2	39.7
SGC-150350-REN	6" x 14" Rare Earth Surface Grinder Chuck	6	14	2	48.5
SGC-150400-REN	6" x 16" Rare Earth Surface Grinder Chuck	6	16	2	55.1
SGC-150450-REN	6" x 18" Rare Earth Surface Grinder Chuck	6	18	2	61.7
SGC-200400-REN	8" x 16" Rare Earth Surface Grinder Chuck	8	16	2	77.2
SGC-200450-REN	8" x 18" Rare Earth Surface Grinder Chuck	8	18	2	81.6
SGC-200500-REN	8" x 20" Rare Earth Surface Grinder Chuck	8	20	2	90.4
SGC-200600-REN	8" x 24" Rare Earth Surface Grinder Chuck	8	24	2	108
SGC-250500-REN	10" x 20" Rare Earth Surface Grinder Chuck	10	20	2.2	126
SGC-300500-REN	12" x 20" Rare Earth Surface Grinder Chuck	12	20	2.2	148
SGC-300600-REN	12" x 24" Rare Earth Surface Grinder Chuck	12	24	2.2	179

Specifications subject to change